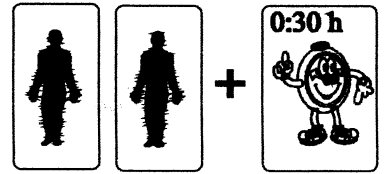
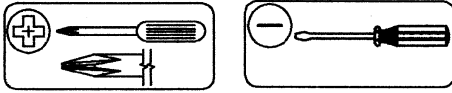


ASSEMBLY INSTRUCTIONS

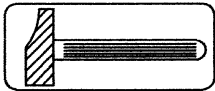
MISSION BED



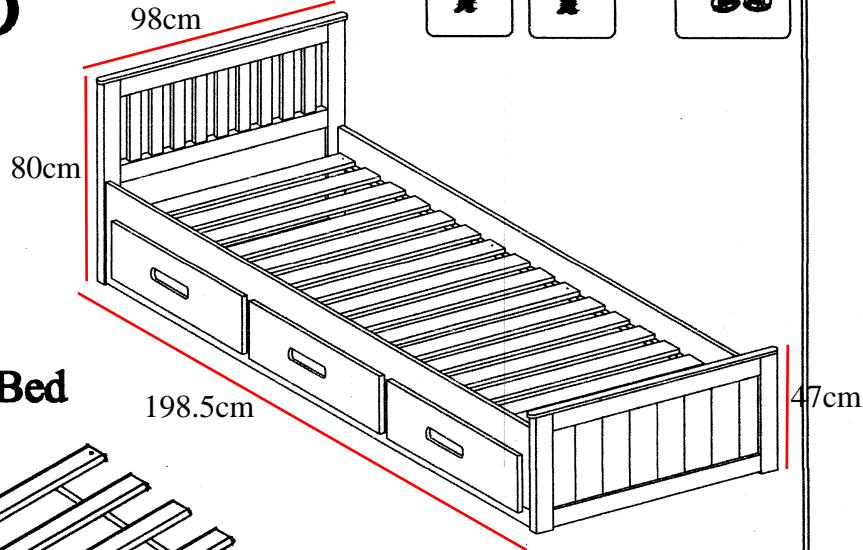
Tools Required



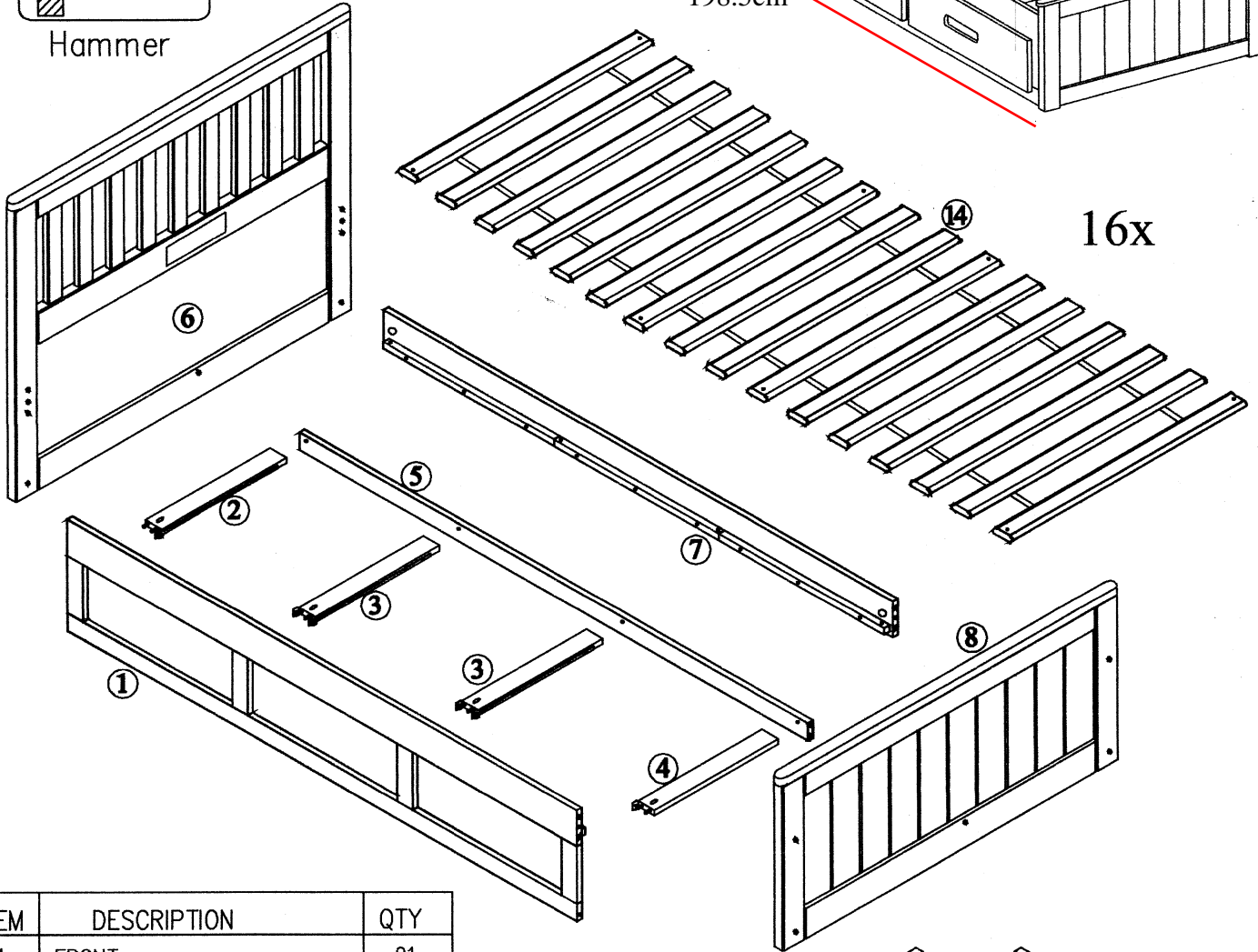
Phillips Head Screwdriver



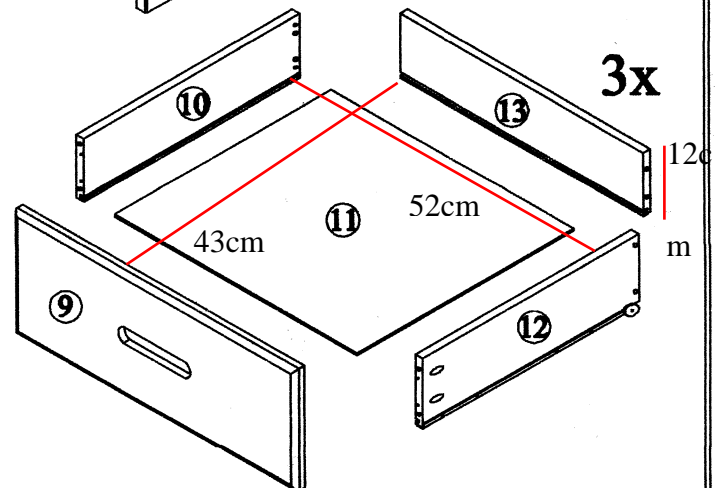
Hammer



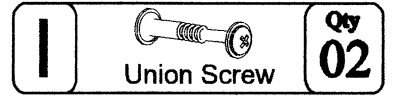
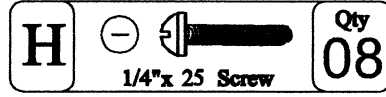
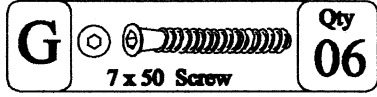
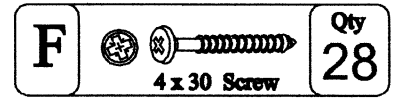
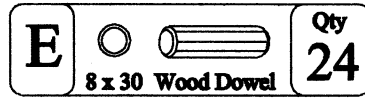
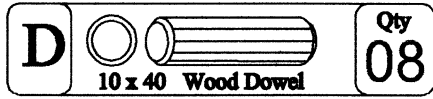
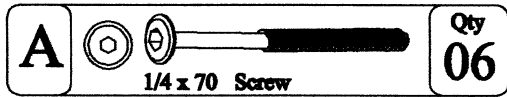
Part List - Bed



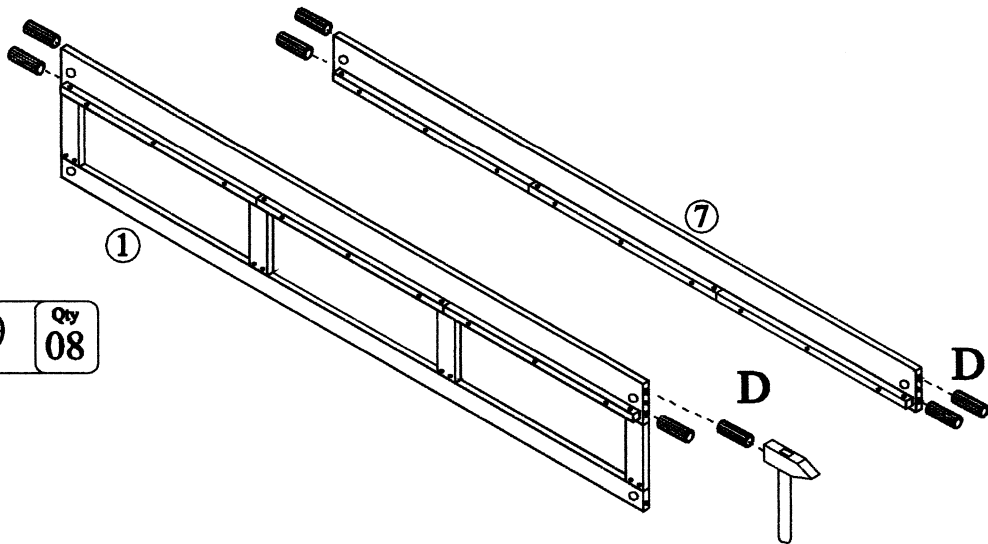
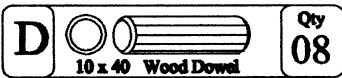
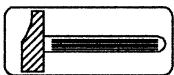
ITEM	DESCRIPTION	QTY
1	FRONT	01
2	LEFT DRAWER RUNNER	01
3	DRAWER RUNNERS	02
4	RIGHT DRAWER RUNNER	01
5	CROSSBEAM	01
6	HEADBOARD	01
7	BACK PANEL	01
8	FOOTBOARD	01
9	DRAWER FRONT	03
10	L/H DRAWER SIDE	03
11	DRAWER BASE	03
12	R/H DRAWER SIDE	03
13	DRAWER BACK	03
14	SLATS	16



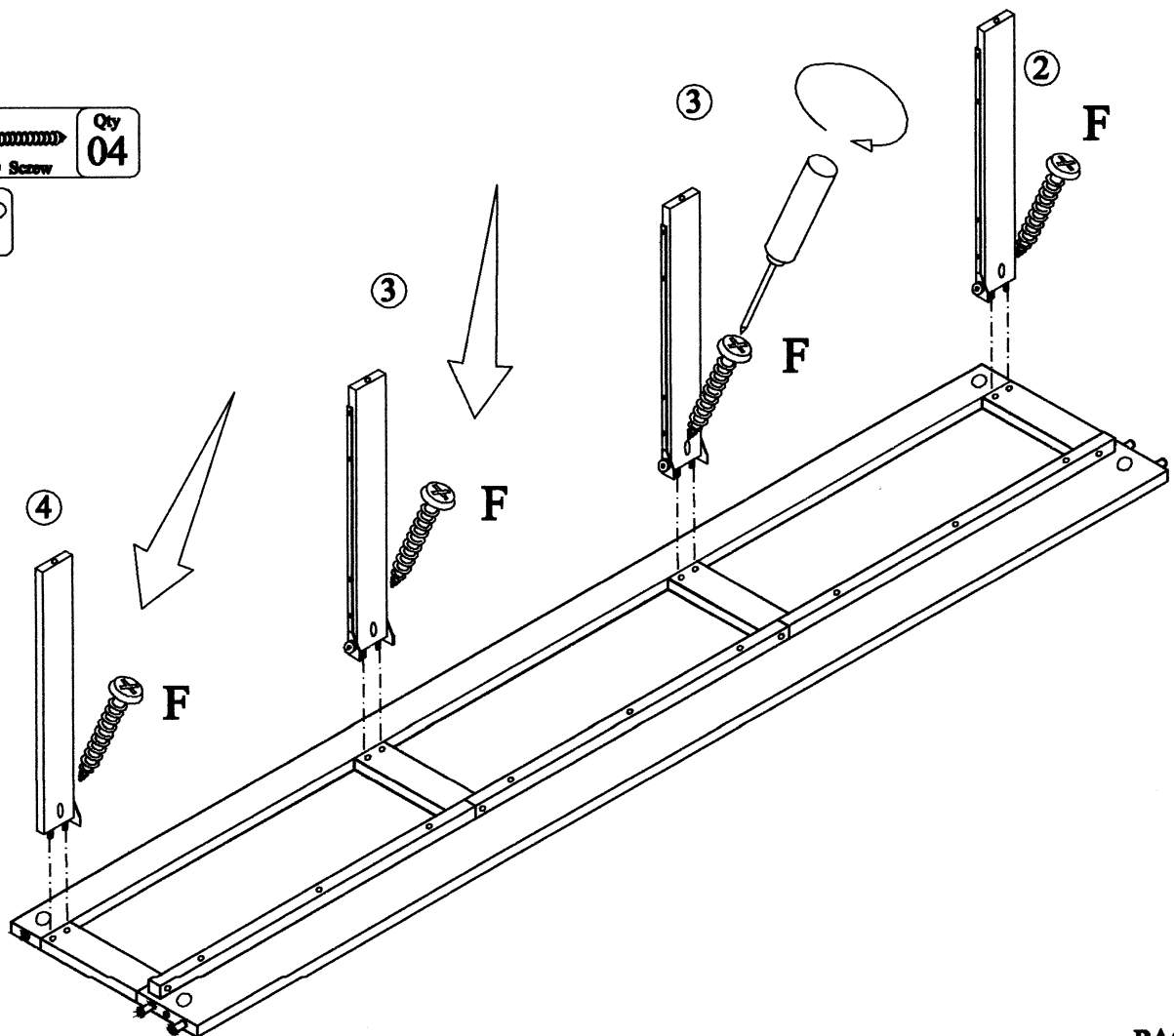
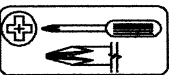
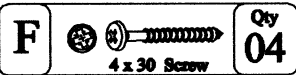
Identifying the Hardware – Identify the hardware using the illustrations below.



01



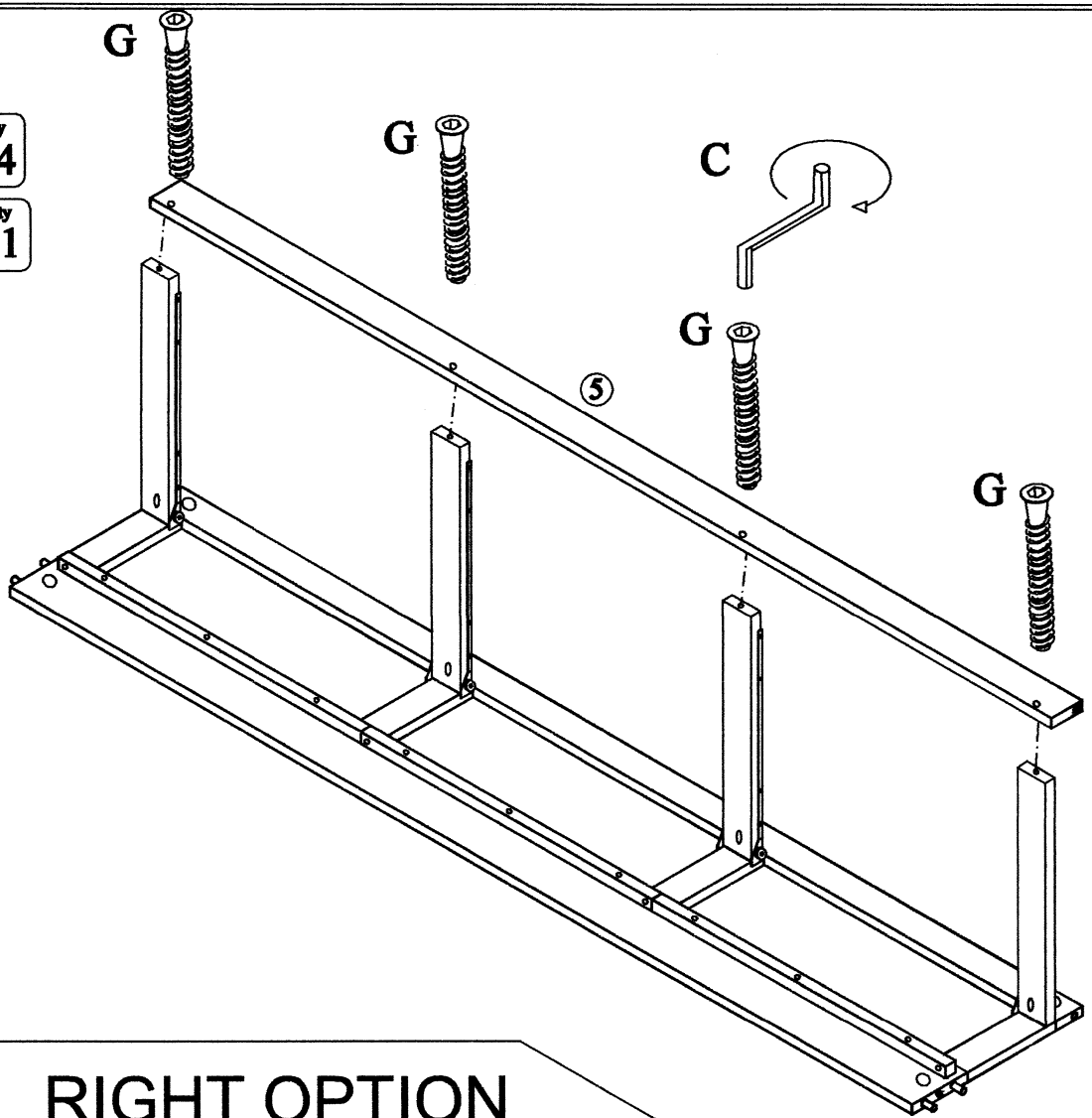
02



03

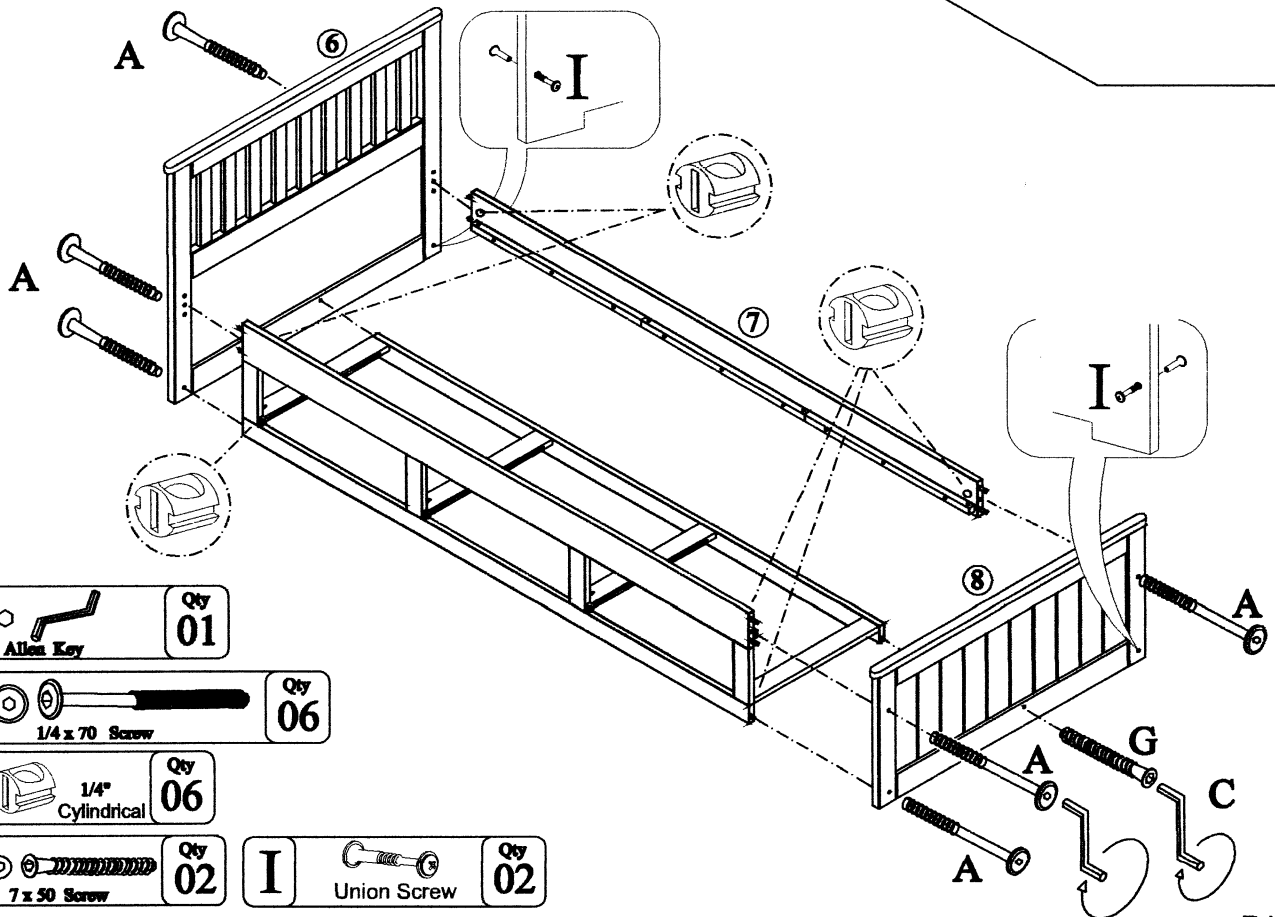
G 7 x 50 Screw Qty 04

C Allen Key Qty 01



04

RIGHT OPTION



C Allen Key Qty 01

A 1/4 x 70 Screw Qty 06

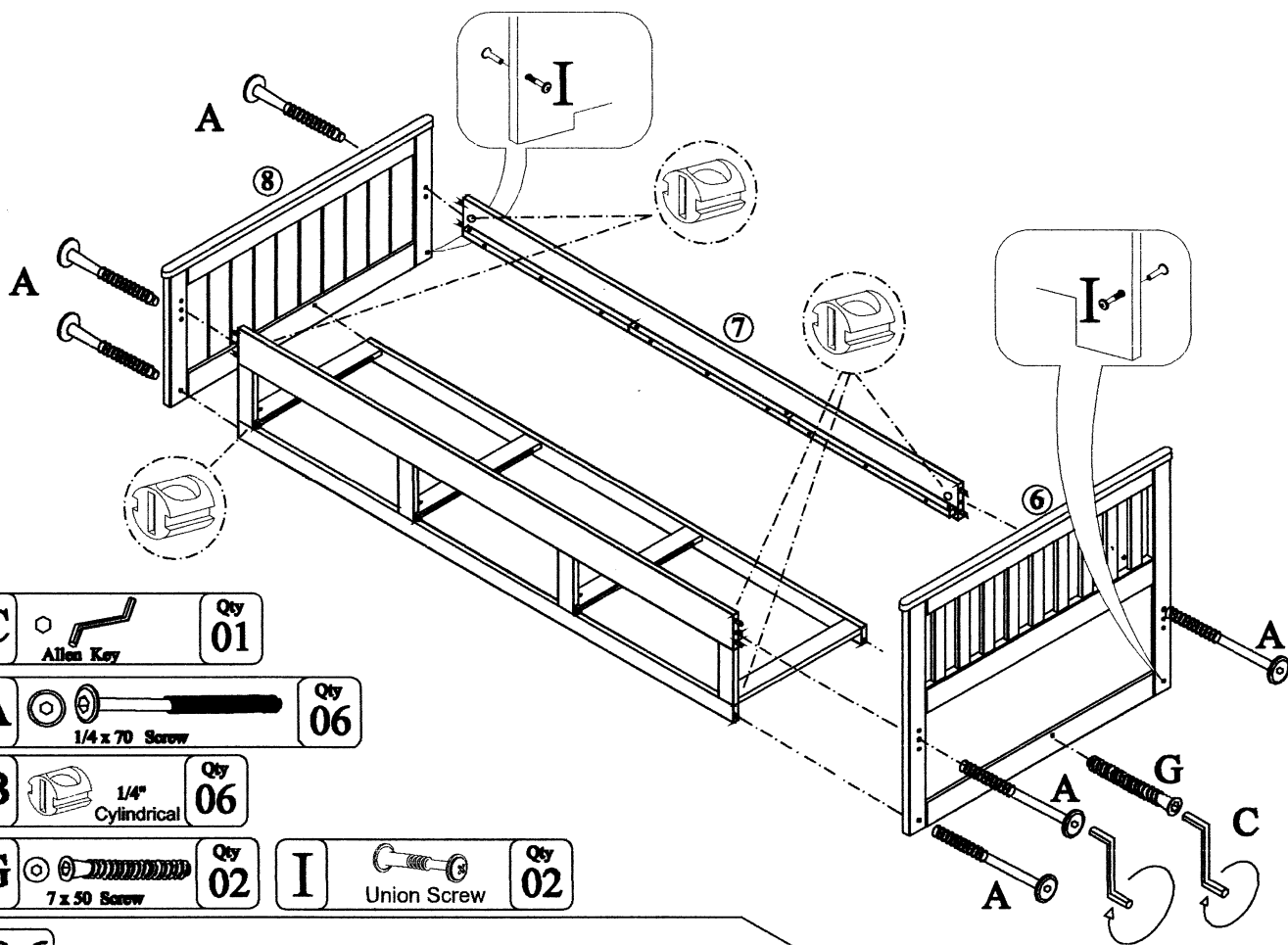
B 1/4" Cylindrical Qty 06

G 7 x 50 Screw Qty 02

I Union Screw Qty 02

05

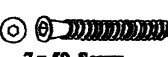
LEFT OPTION




C  **Qty 01**
Allen Key

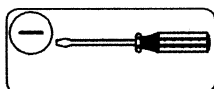
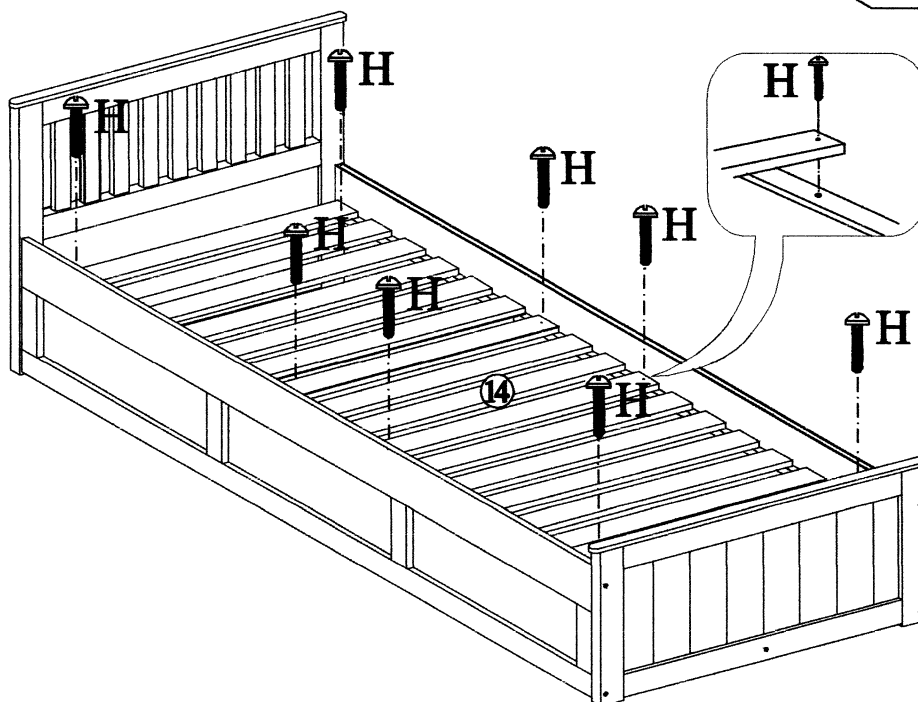
A  **Qty 06**
1/4 x 70 Screw

B  **Qty 06**
1/4" Cylindrical

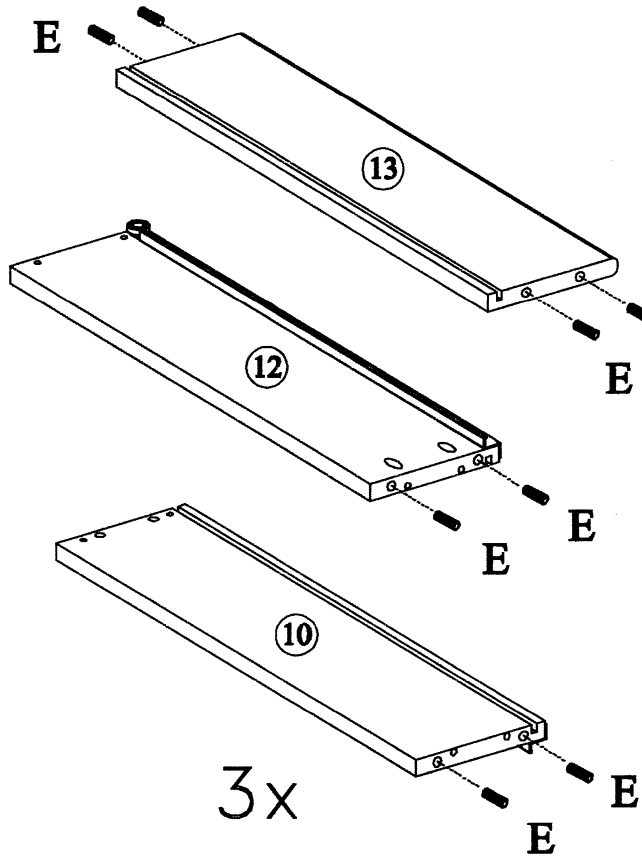
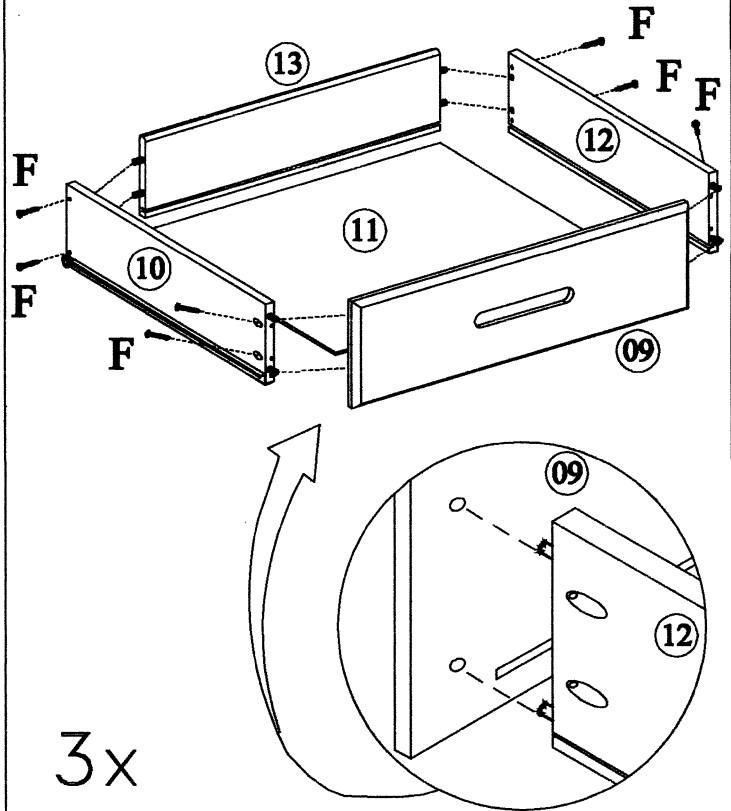
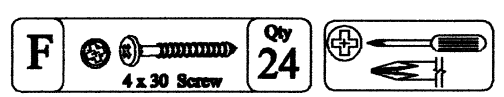
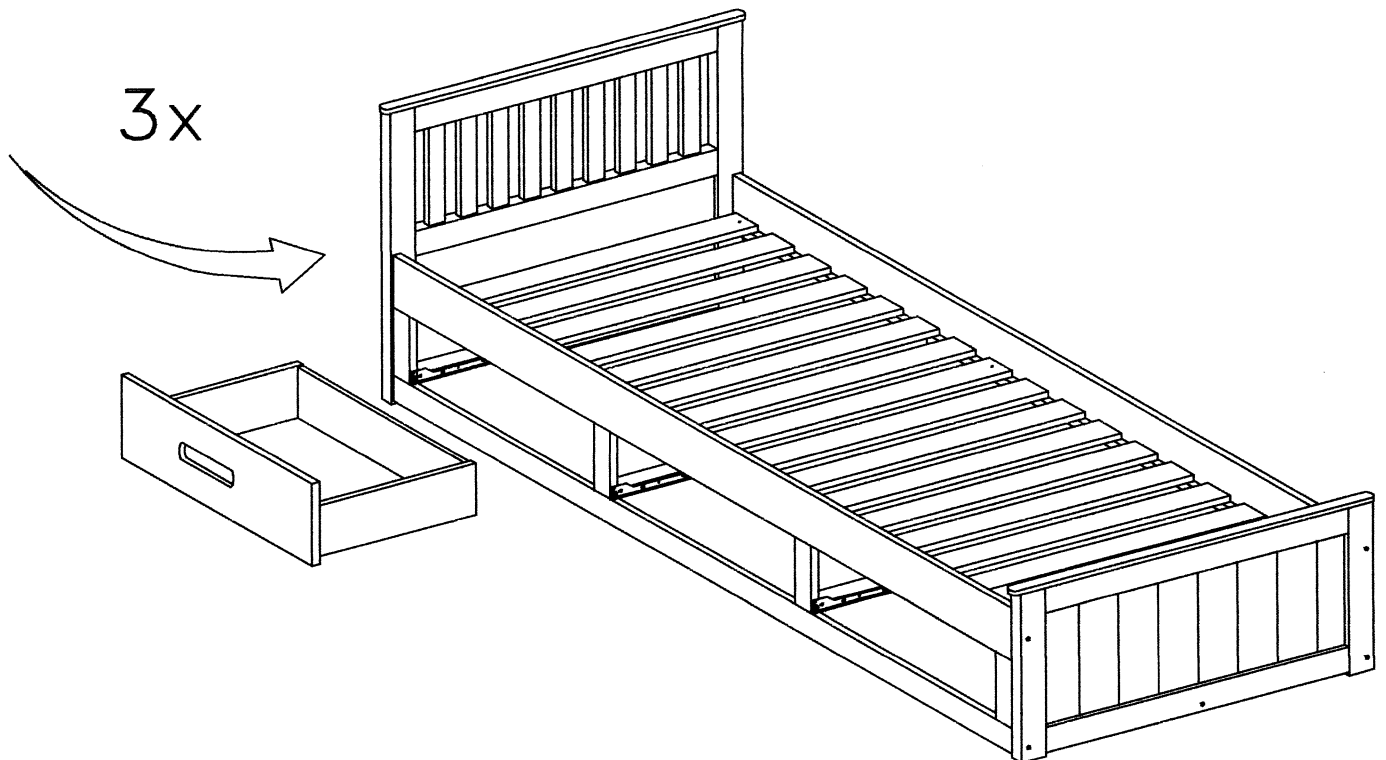
G  **Qty 02**
7 x 50 Screw

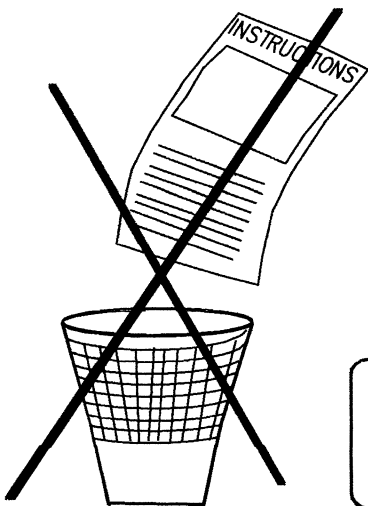
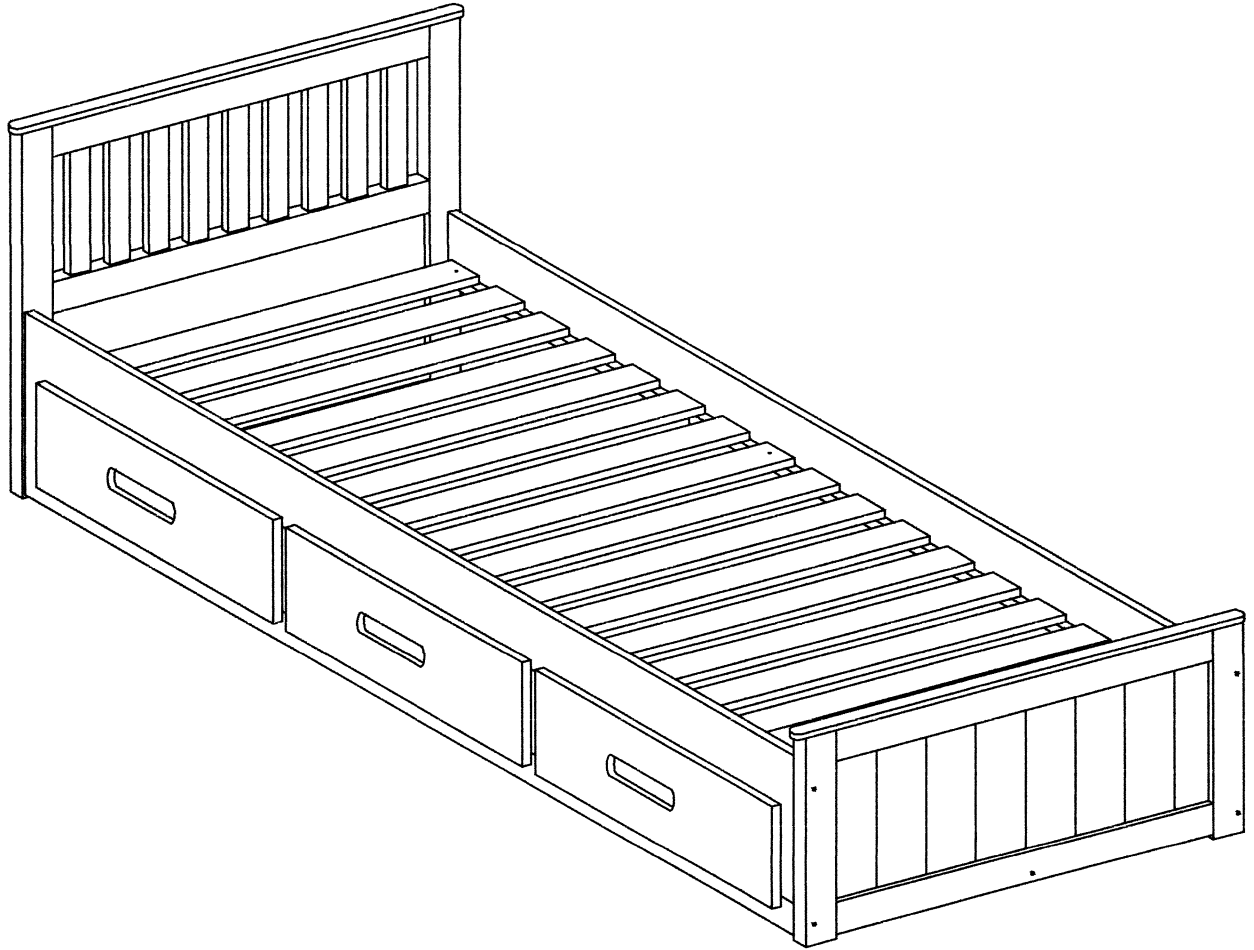
I  **Qty 02**
Union Screw

06



H  **Qty 08**
1/4" x 25 Screw

07**08****09**




**WHEN FULLY ASSEMBLED PLEASE
ENSURE ALL SCREWS ARE TIGHTENED.**